



v.2.4



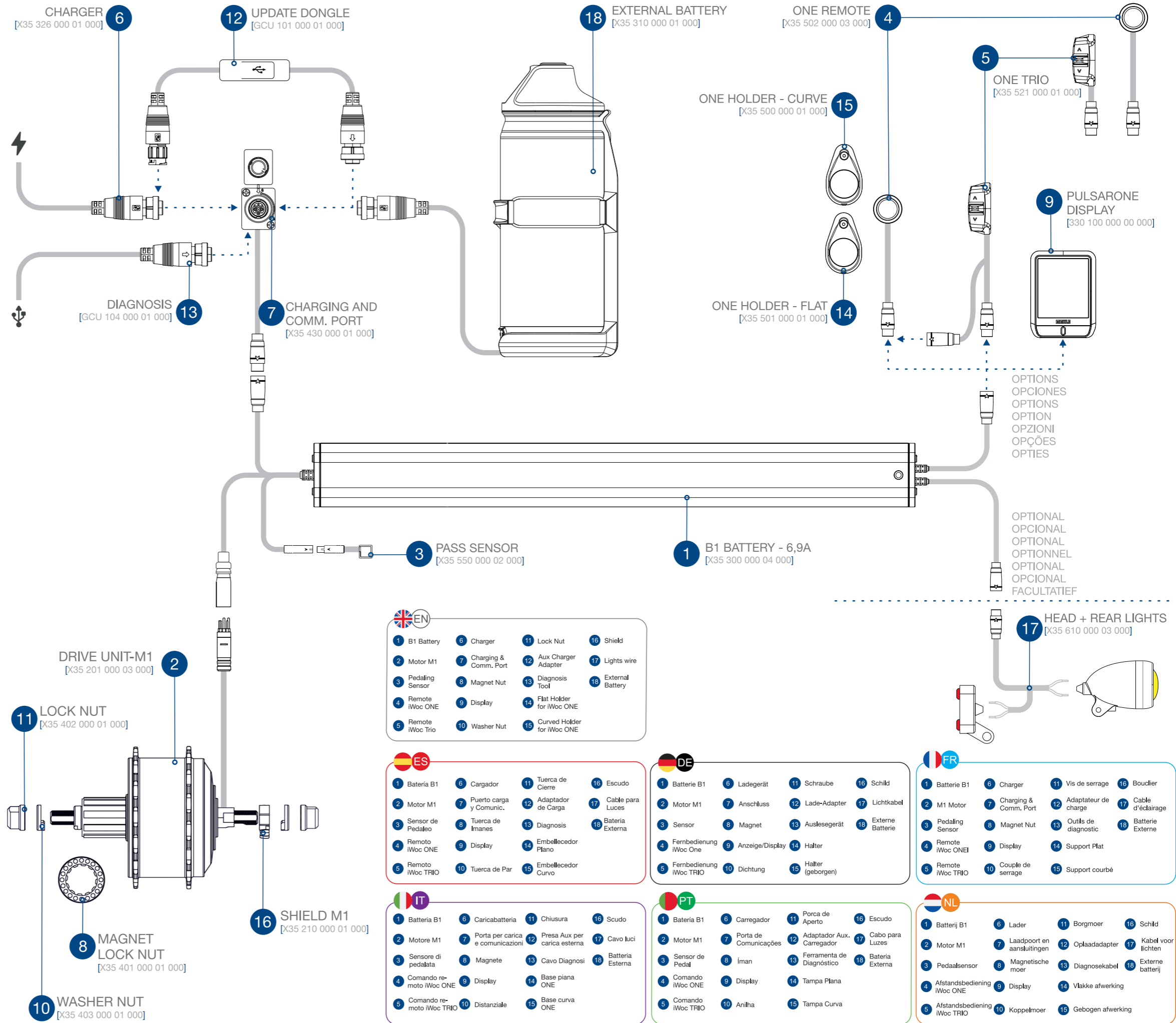
Quick Use Guide
Connection & Mount

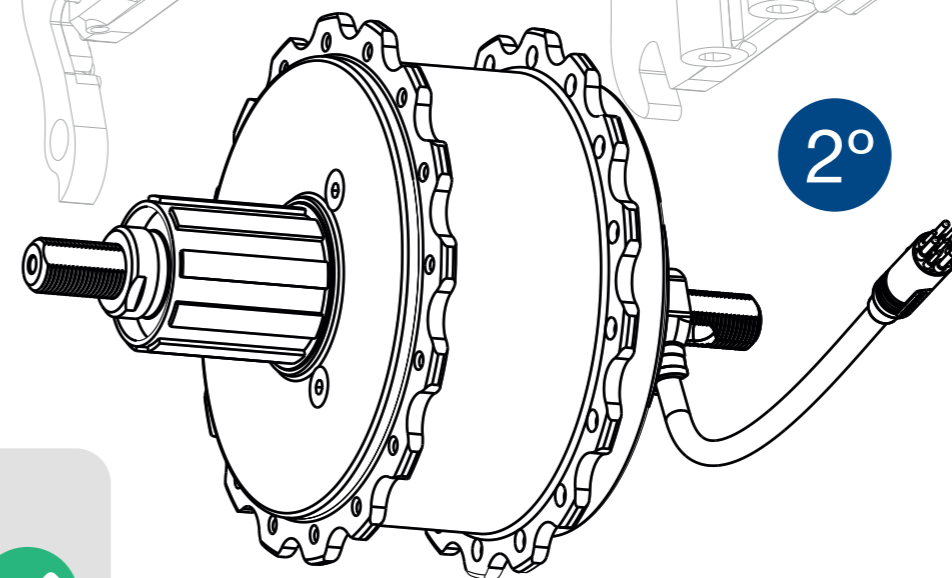
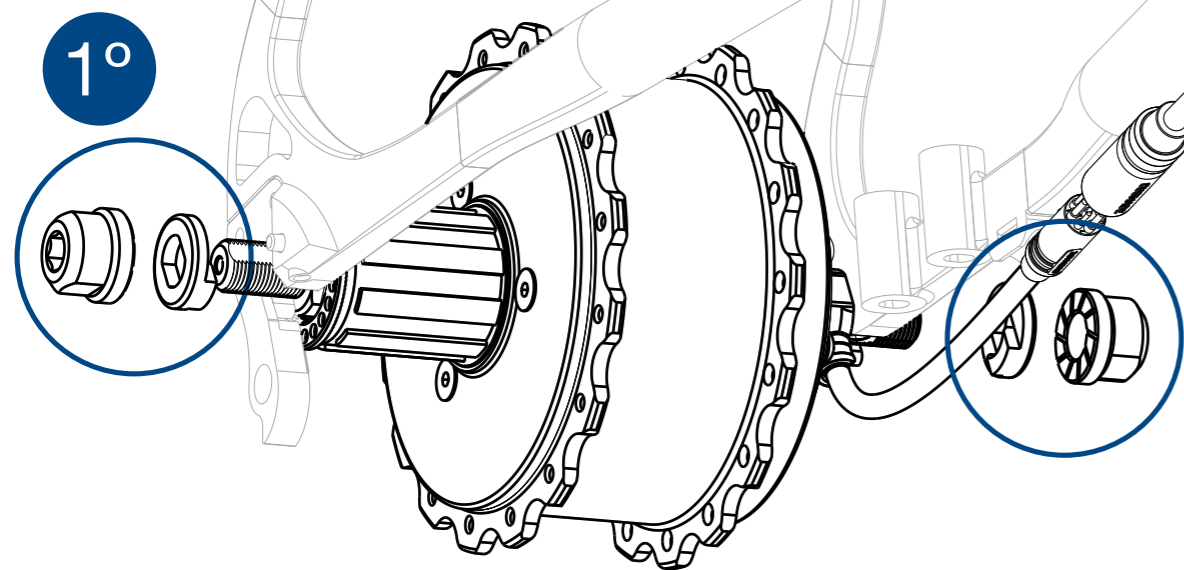
MAHLE

MAHLE

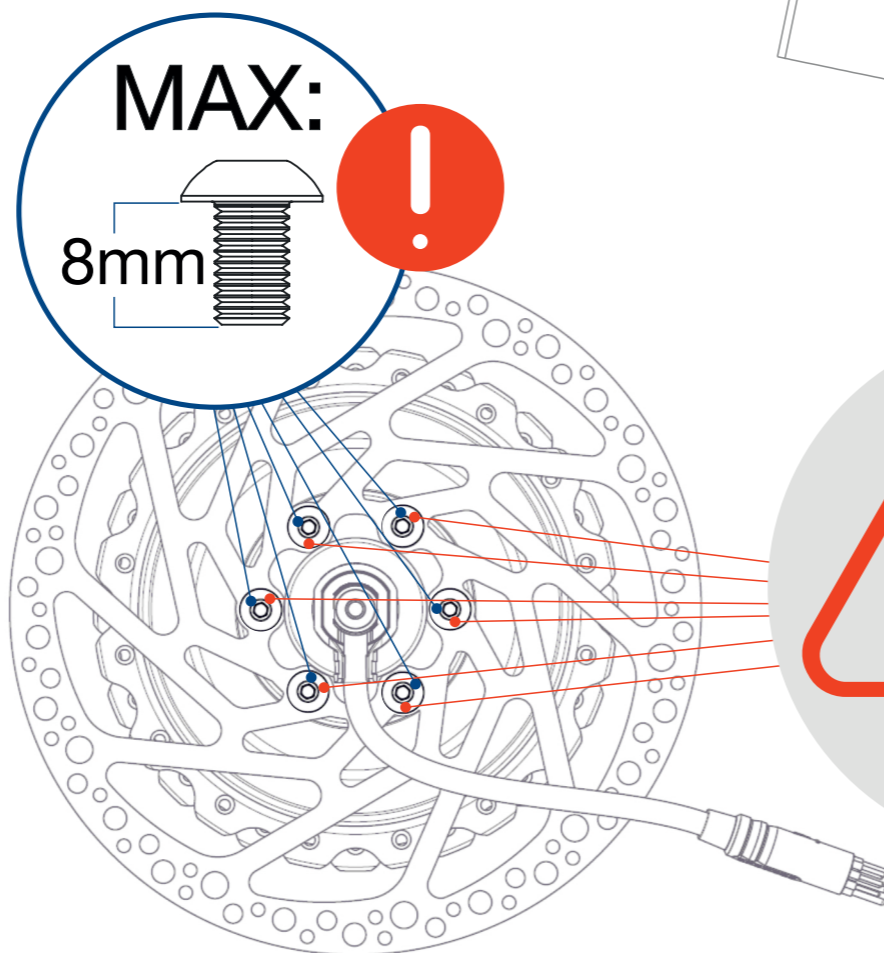
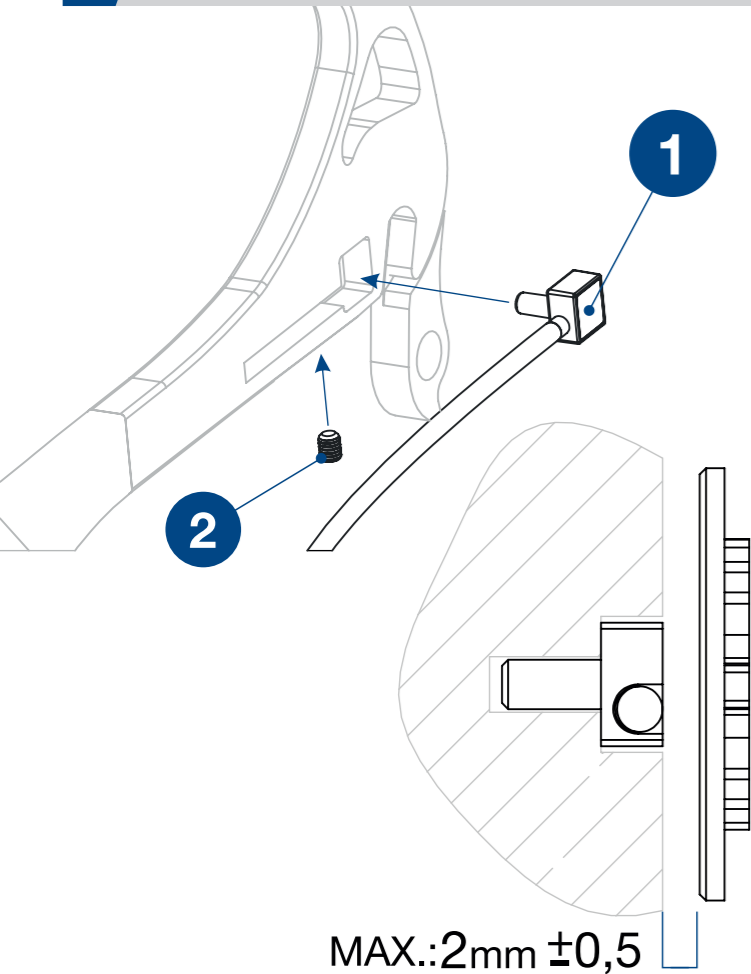
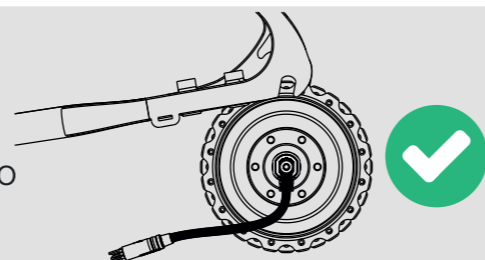
MAHLE SmartBike Systems S.L.U.
C/ Orfebres, 10 - Palencia, Spain
mahle-smartbike.com

1 GENERAL SCHEME / ESQUEMA GENERAL / ALLGEMEIN / SCHEMA GENERAL / SCHEMA GENERALE / ESQUEMA GERAL / ALGEMEEN SCHEMA





- THE MOTOR CABLE MUST FACE DOWN
- EL CABLE DEL MOTOR DEBE ESTAR ORIENTADO HACIA ABAJO
- DAS MOTORKABEL MUSS NACH UNTEN ZEIGEN
- LE CABLE DU MOTEUR DOIT ETRE ORIENTÉ VERS LE BAS
- IL CAVO DEL MOTORE DEVE ESSERE ORIENTATO VERSO LA PARTE IL BASSO
- O CABO DO MOTOR DEVE ESTAR ORIENTADO PARA BAIXO
- DE MOTORKABEL MOET NAAR BENEDEN GERICHT ZIJN



Wireless Certification

FCC Statement

This device complies with part 15 of the FCC rules. Operation is subject to the following two conditions. (1) This device may not cause harmful interference. (2) This device must accept any interference received, including interference that may cause undesired operation.

This equipment has been tested and found to comply with the limits for a Class B digital device, pursuant to part 15 of the FCC Rules. These limits are designed to provide reasonable protection against harmful interference in a residential installation. This equipment generates, uses and can radiate radio frequency energy, and if not installed and used in accordance with the instructions, may cause harmful interference to radio communications. However, there is no guarantee that interference will not occur in a particular installation. If this equipment does

- cause harmful interference to radio or television reception, which can be determined by turning the equipment off and on, the user is encouraged to try to correct the interference by one or more of the following measures:
 - Reorient or relocate the receiving antenna.
 - Increase the separation between the equipment and receiver.
 - Connect the equipment into an outlet on a circuit different from that to which the receiver is connected.
 - Consult the dealer or an experienced radio/TV technician for help.

IC Statement

This device complies with Industry Canada license-exempt RSS Standard(s). Operation is subject to the following two conditions. (1) This device may not cause harmful interference. (2) This device must accept any interference received, including interference that may cause undesired operation. Le présent appareil est conforme aux CNR d'Industrie Canada applicables aux appareils radio exempts de licence. L'exploitation est autorisée aux deux conditions suivantes: (1) l'appareil ne doit pas produire de brouillage, et (2) l'utilisateur de l'appareil doit accepter tout brouillage radioélectrique subi, même si le brouillage est susceptible d'en compromettre le fonctionnement.

Under Industry Canada regulations, this radio transmitter may only operate using an antenna of a type and maximum (or lesser) gain approved for the transmitter by Industry Canada. To reduce potential radio interference to other users, the antenna type and its gain should be so chosen that the equivalent isotropically radiated power (e.i.r.p.) is not more than that necessary for successful communication. Conformément à la réglementation d'Industrie Canada, le présent émetteur radio peut fonctionner avec une antenne d'un type et d'un gain maximal (ou inférieur) approuvé pour l'émetteur par Industrie Canada. Dans le but de réduire les risques de brouillage radioélectrique à l'intention des autres utilisateurs, il faut choisir le type d'antenne et son gain de sorte que la puissance isotrope rayonnée équivalente (p.i.r.e.) ne dépasse pas l'intensité nécessaire à l'établissement d'une communication satisfaisante.

